

CCS Technical Documentation

NAM-2 Series Transceivers

Accessories

This page intentionally left blank.

Table of Contents

	Page No
BLD-3 Standard Battery	4
Travel Charger ACP-7	5
Products	5
Specification	5
ACP-8 Travel Charger	6
Products	6
Specification	6
DDC-1 Battery Charging Stand	7
Specification	7
LCH-9 Mobile Charger	8
Specification	8
HDC-5 Headset	9
HDE-2 Headset	10
HDB-5 Boom Headset	11
Loopset LPS-3	12
Recommended Batteries	12
PPH-1 Plug-in HF Car Kit	13
HFM-8 Handsfree Microphone	14
Product Code	14
HDD-1 Dual Headset	15
HDC-10 Retractable Headset	16
BHF-2 Handrest Hands Free	17

BLD-3 Standard Battery

The BLD-3 is a Li-ion 720mAh battery in white plastic package.

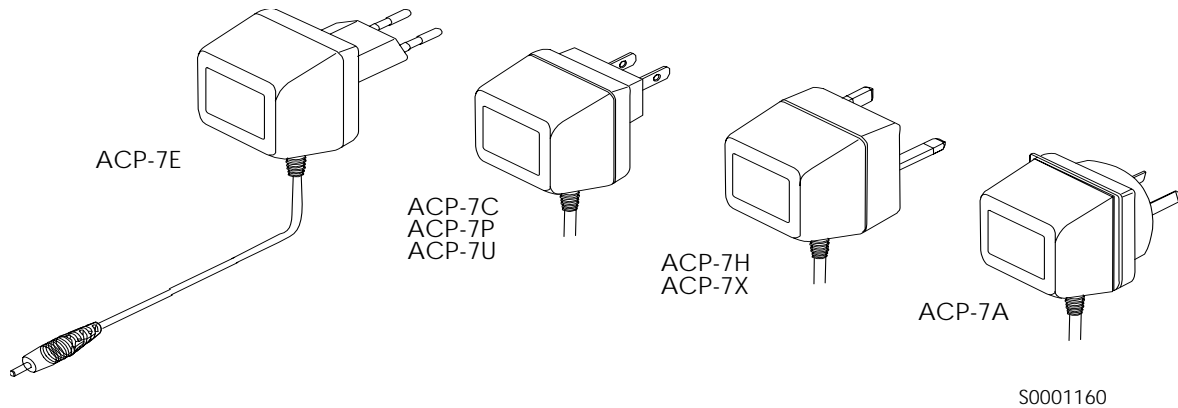
View of BLD-3:



Travel Charger ACP-7

The standard charger is available for different voltage levels and comes with different wall plugs. The standard charger can also be used as a power supply for the desktop stand.

View of AC Travel Charger, ACP-7



Products

Name of unit	Type code	Material code	Notes
AC Travel Charger	ACP-7E	0675144	Euro-plug
AC Travel Charger	ACP-7U	0675143	US-plug
AC Travel Charger	ACP-7P	0675147	US-plug
AC Travel Charger	ACP-7C	0675158	US-plug
AC Travel Charger	ACP-7X	0675145	UK-plug
AC Travel Charger	ACP-7H	0675146	UK-plug
AC Travel Charger	ACP-7A	0675148	Australia-plug

Specification

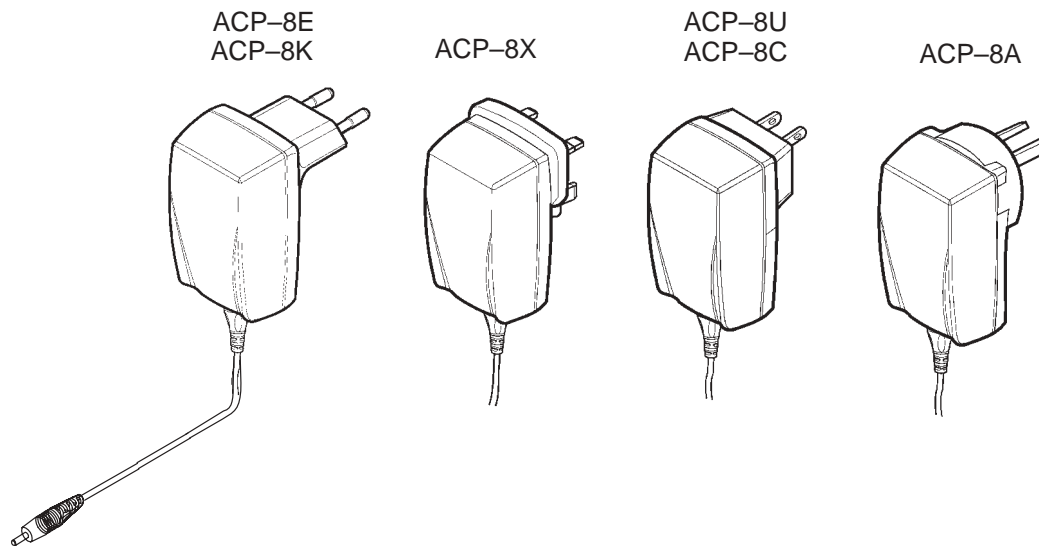
Output connectors	3.5 mm DC plug, 2-pole
Protection:	PTC protection
Output Voltage /Current (typ):	7.6 V / 370 mA

ACP-8 Travel Charger

Operating within the voltage range 90 V...264 V AC (50 Hz...60 Hz), the Travel Charger is practically current independent in normal office and house hold use. Like the standard charger, it is compatible with all battery options and is available for different wall sockets.

The Travel Charger can also be used with desktop stand.

Figure 1: ACP-8



Products

Name of unit	Type code	Material code	Notes
Performance Travel Charger	ACP-8E	0675195	Euro-plug
Performance Travel Charger	ACP-8U	0675196	US-plug
Performance Travel Charger	ACP-8X	0675197	UK-plug
Performance Travel Charger	ACP-8A	0675214	Australia-plug
Performance Travel Charger	ACP-8C	0675211	China-plug
Performance Travel Charger	ACP-8K	0675199	Korea-plug

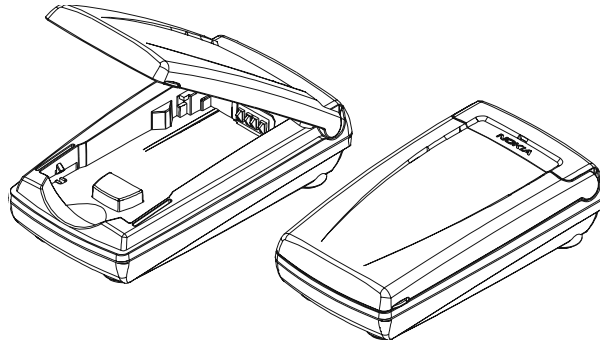
Specification

Output connectors:	3.5 mm DC plug, 2-pole (+, -, control)
Protection:	Output fault voltage 16 V max.
Output voltage/current (typ):	6.0 V (+0.3 V)/ 620 mA

DDC-1 Battery Charging Stand

The provides the possibility to charge a spare battery.

View of DDC-1



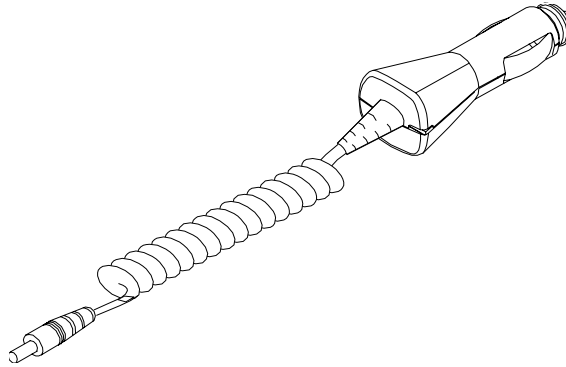
Specification

Connections: 3.5 mm DC jack (ACP-7 or ACP-8)

LCH-9 Mobile Charger

A green light indicates that the cigarette lighter charger is ready for charging. Check the charging status on the phone display. The input voltage can be from 11 or 32 V DC, negative grounding.

View of LCH-9



Specification

Connectors

- input: D 21/23 mm
- output: 3.5 mm DC plug

Protection: input fused, output current limit 850 mA

Voltage

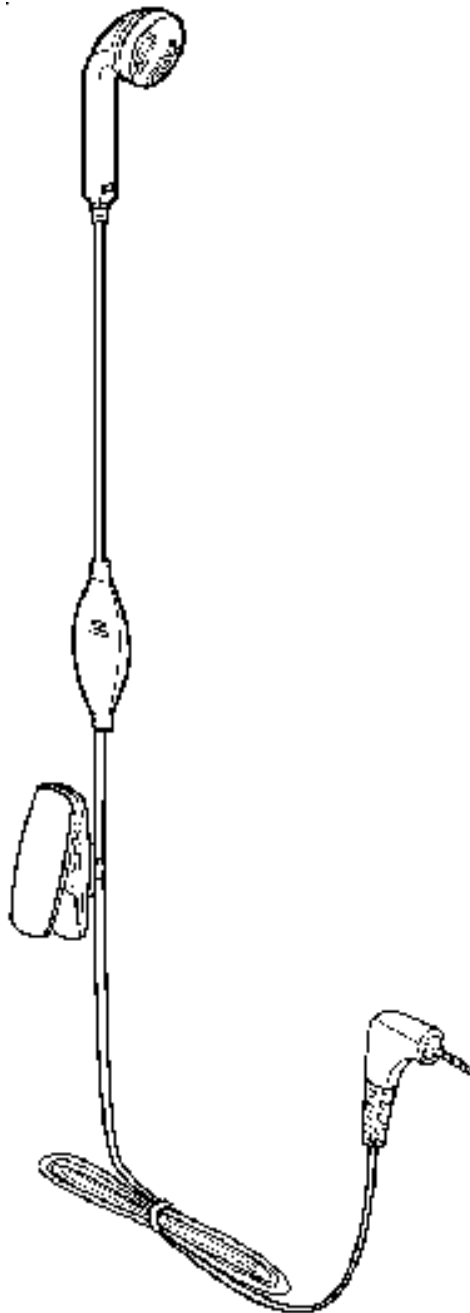
- input: 11...32 V
- output (nominal): 8.4 V

Nominal output current: 800 mA

HDC-5 Headset

The HDC-5 headset has also switch for answer/end button.

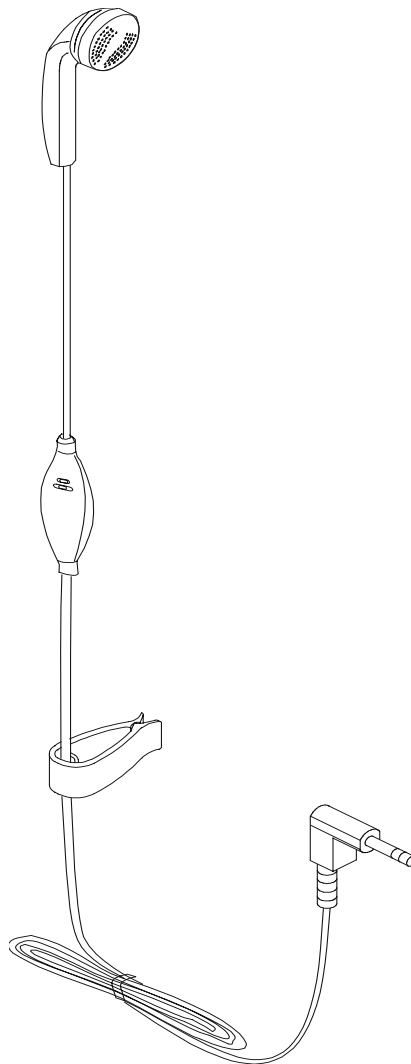
View of HDC-5



HDE-2 Headset

The HDE-2 headset provides convenient hands free operation of the phone.

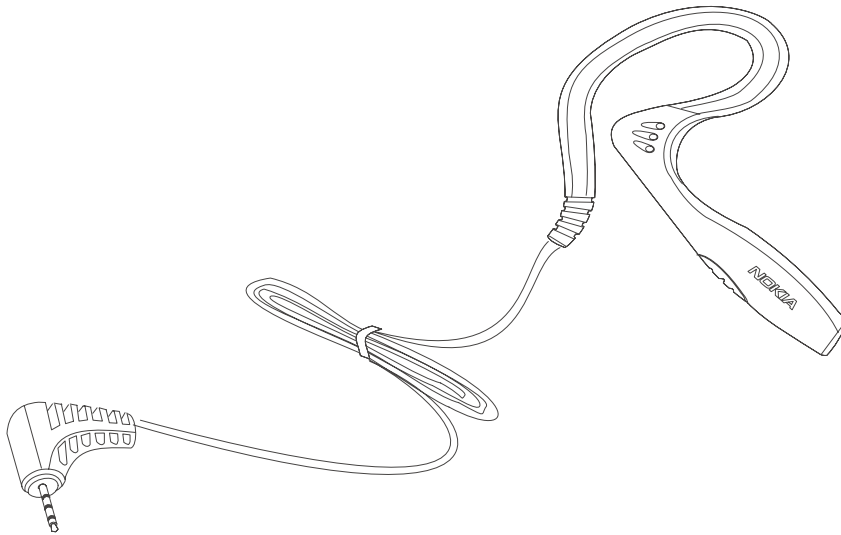
View of HDE-2



HDB-5 Boom Headset

The HDB-5 Boom headset provides convenient hands free operation of the phone and excellent audio quality.

View of HDB-5



Loopset LPS-3

Loopset LPS-3 has been developed for hearing aid users to allow them to use mobile phones. It is based on induction technology.

All hearing aids have support for induction loop, i.e. they have a little telecoil inside. This coil can capture the signal supplied to the loop. Standard hearing aids have two operation modes; M-mode for normal microphone use and T-mode for telecoil use.

View of LPS-3



Recommended Batteries

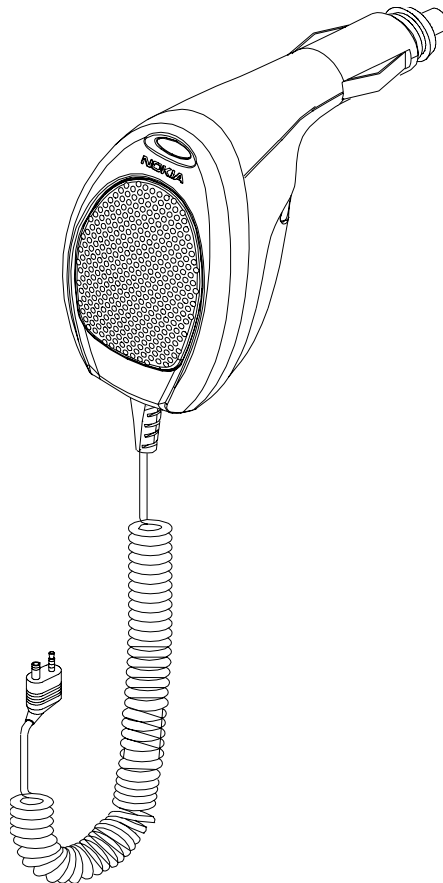
Type	Size / IEC-type	Rated capacity	Talk time (3mA load)	Standby (20uA load)
Zinc Air Hearing Aid Battery	675 / PR44	540 mAh	180 hour.	840 hour or 35 day (1)
Silver Oxide Hearing Aid Battery	675 / SR44	150 mAh	50 hour.	7 500 hour or 310 day.
Alkaline Battery	675 / LR44	110 mAh	36 hour.	5 500 hour or 230 day.

Note: The capacity of the zinc air battery will fall 20% in a month. After the activation the zinc air battery begins to self-discharge. The battery will be empty within 5 weeks.

PPH-1 Plug-in HF Car Kit

The PPH-1 provides rapid charging for the phone and possibility for HF operation. The PPH-1 plug and play handsfree unit is connected directly to the cigarette lighter in a car. PPH-1 is connected to the mobile phone with the cable. The cable has combined connector with charger- and headset connectors.

View of PPH-1 Plug-in HF Car Kit



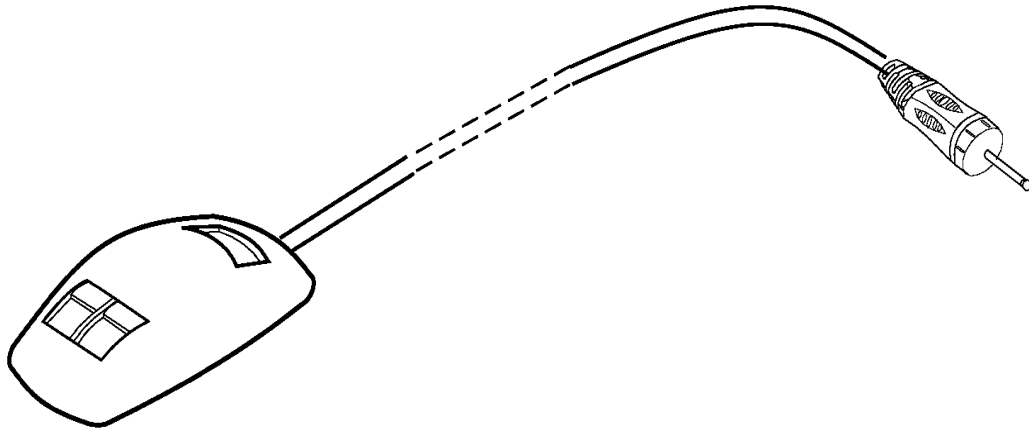
HFM-8 Handsfree Microphone

The HFM-8 microphone can be used together with PPH-1 Plug-in Car Kit.

Product Code

HFM-8 Handsfree Microphone: *0271503*

View of the HFM-8 Handsfree Microphone



HDD-1 Dual Headset

HDD-1 dual headset provides the following:

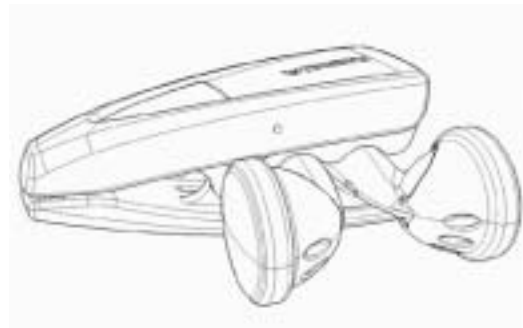
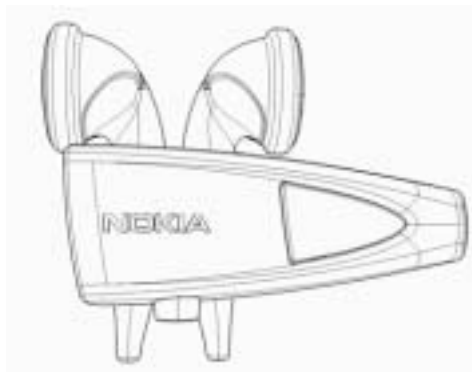
FM radio connection between headset and phone (FM radio volume and channel selections via phone).

remote control with microphone and answer/end button

a foam earpiece cover and a clip to hold the headset firmly in place and to place the earpieces while headset is not in use

HDD-1 is connected directly to the phone via a 4-wire 2.5 mm headset jack.

HDD-1



HDC-10 Retractable Headset

HDC-10 is a headset with retractable mechanism for cable management

Microphone and speaker are integrated into the earpiece and the headset includes a Send/End button for call handling as well as a hook in the unit for carrying the device.

View ow HDC-10:

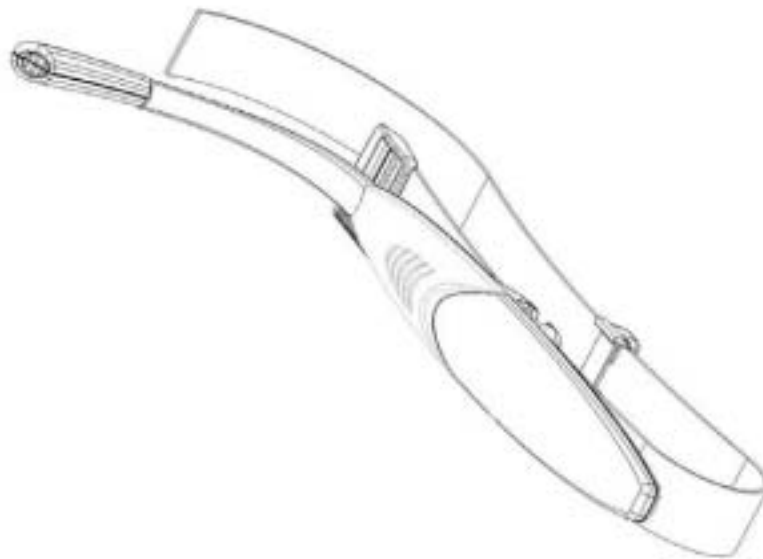


BHF-2 Handrest Hands Free

BHF-2 Handrest Hands Free provides the basic handsfree functionalities when installed in a car headrest.

BHF-2 features integrated microphone and speaker. The phone can be charged with LCH-9.

View of BHF-2:



This page intentionally left blank